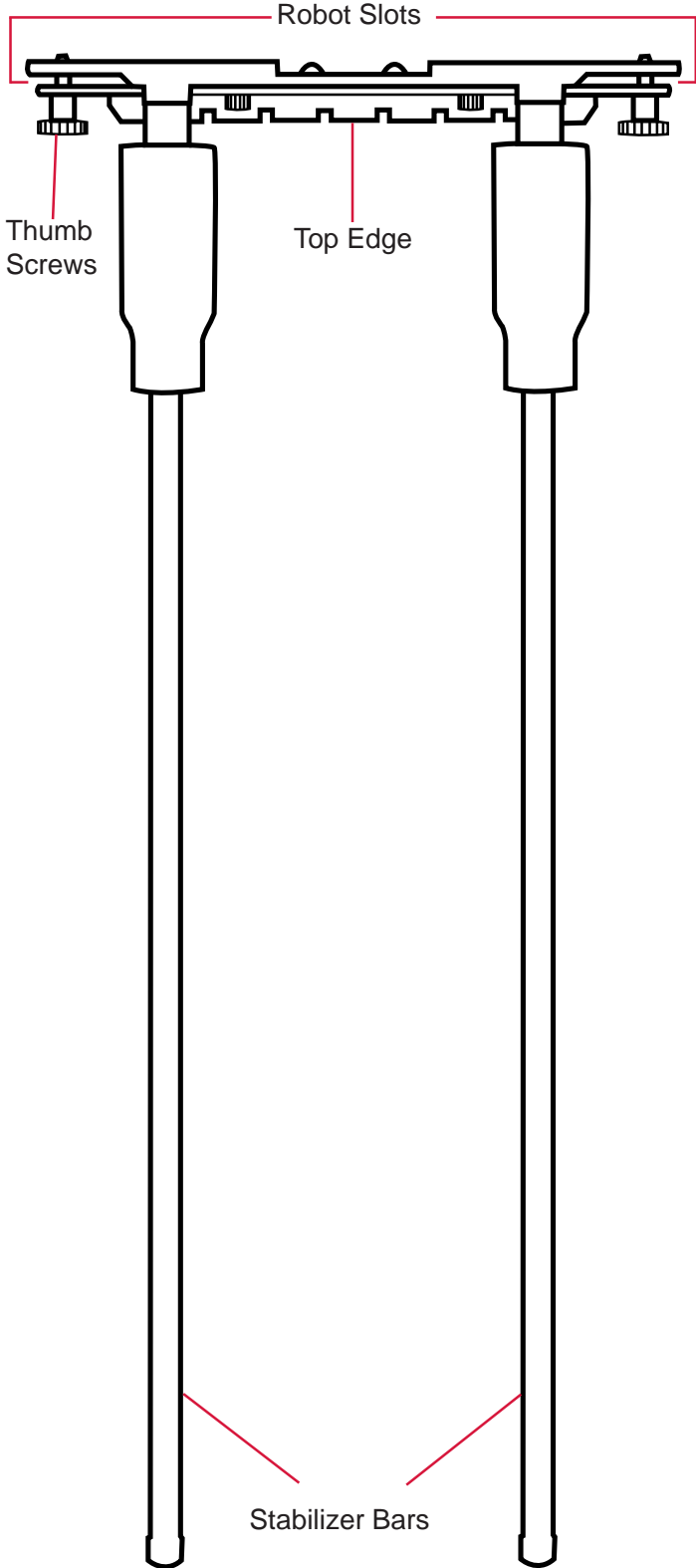
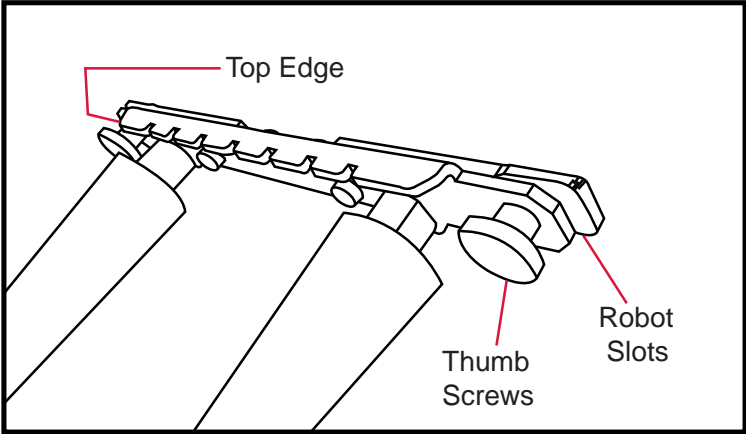


Stabilizer Bars Quick Start Guide

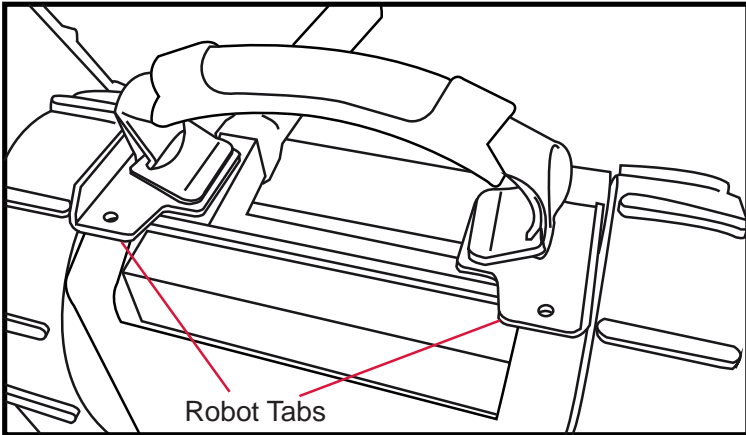
Bottom of Stabilizers



Top Side of Stabilizer Bars (Connecting End)



Back End of Robot (From Below)



To attach the stabilizer bars to your robot, you first need to remove the thumb screws. With the top edge facing up, slide the stabilizer Robot Tabs on the robot down into the Robot Slots in the stabilizer bars. You want to make sure the holes in the tabs line up with the holes on the stabilizers and the top edge is braced against the robot. Screw in thumb screws until they are tight.